

ISTRUZIONI DI MONTAGGIO

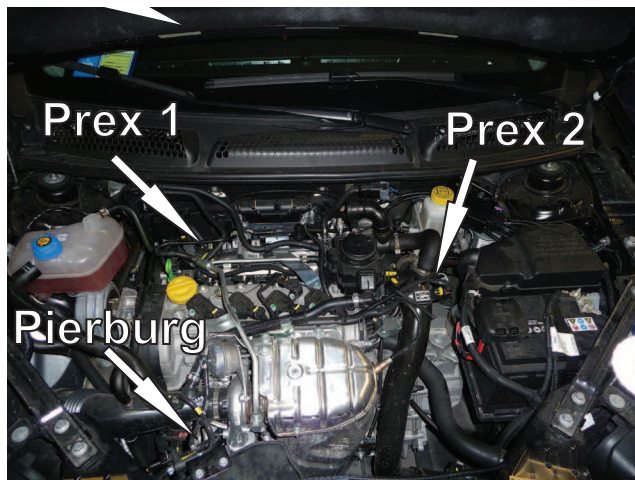
Installation Manual

CHIPBOX®

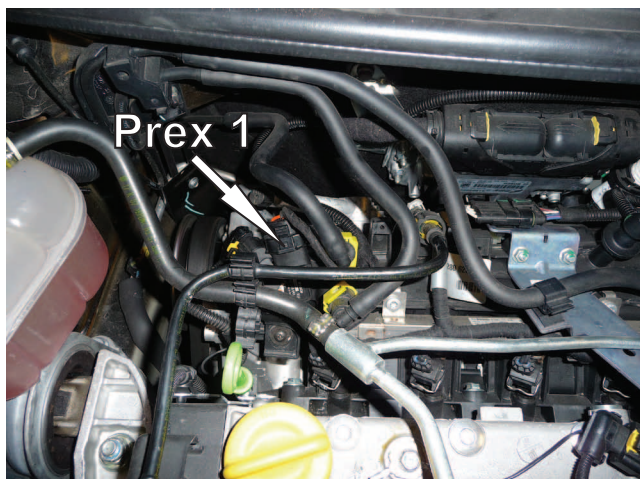
FIAT-ALFA 1.4 16v T-Jet



RIMUOVERE IL COPERCHIO MOTORE E
ATTENDERE 5 MINUTI CON QUADRO SPENTO
Remove the engine cover and wait 5 minutes with ignition off.



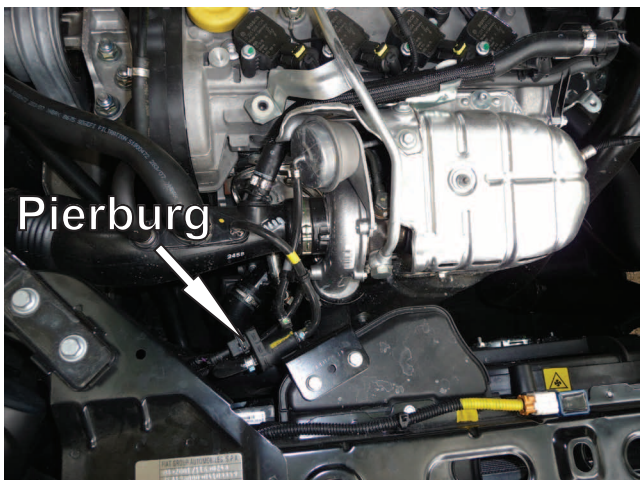
TROVARE I DUE SENSORI PRESSIONE (PREX1 E PREX2)
E LA VALVOLA CONTROLLO PRESSIONE (PIERBURG)
*Locate and identify the pressure sensors plugs (PREX1 and PREX2)
and turbo control valve (PIERBURG)*



SENSORE PRESSIONE COLLETTORE A 4 VIE
Intake manifold sensor 4 way



SENSORE PRESSIONE TURBO A 3 VIE
Sensor pressure turbo 3 way



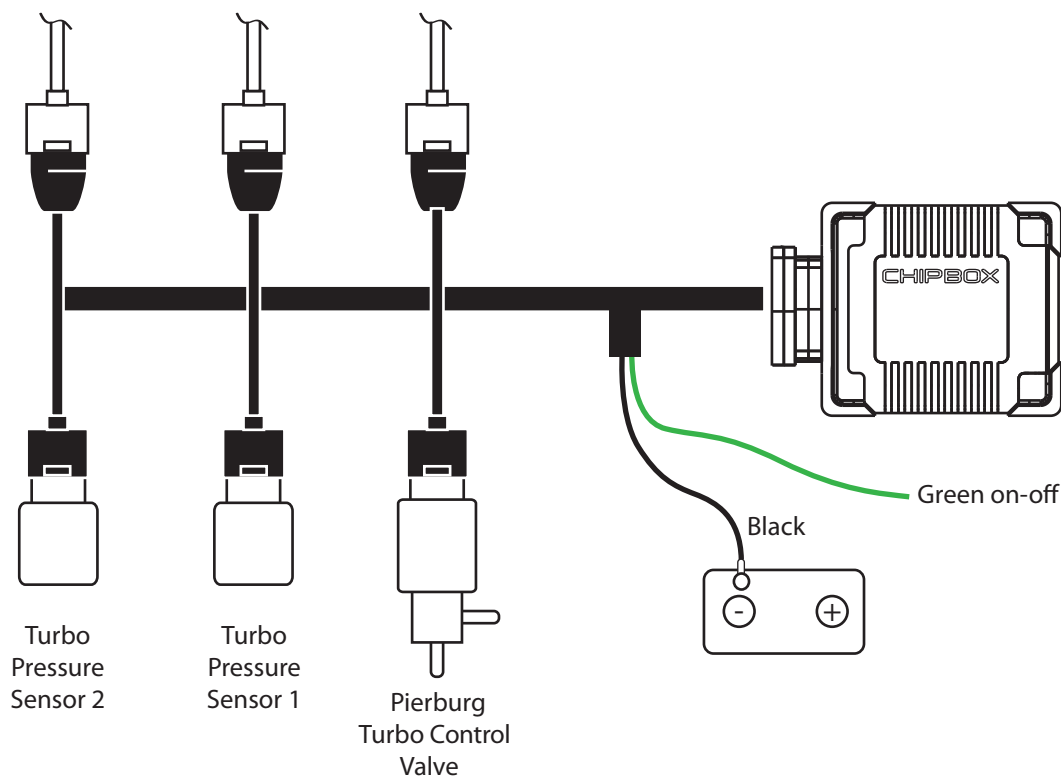
VALVOLA CONTROLLO PRESSIONE A 2 VIE
COLLEGARE IL CAVO NERO A MASSA NEL TELAIO
*Turbo control valve 2 way
Connect the black wire to the ground on chassis*

TEL/FAX 0424 536686
CELL. 328-6669091
WWW.SELETRON.COM - INFO@SELETRON.COM

SELETRON
VIA CABASEGGIO, 99A
36056 TEZZE SUL BRENTA (VI)

SELETRON

Generic scheme



COLLEGAMENTI:

Collegare il cavo nero a massa
Collegare il cavo verde tramite interruttore a massa (se non collegato CHIPBOX sempre attivo)

FUNZIONAMENTO LED

Rimuovere le 4 viti del coperchio CHIPBOX
Led rosso ON CHIPBOX alimentato
Led verde ON CHIPBOX attivo
Led verde OFF CHIPBOX disattivato tramite filo verde a massa

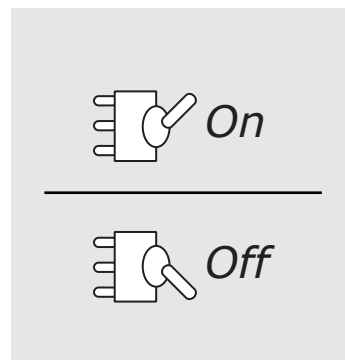
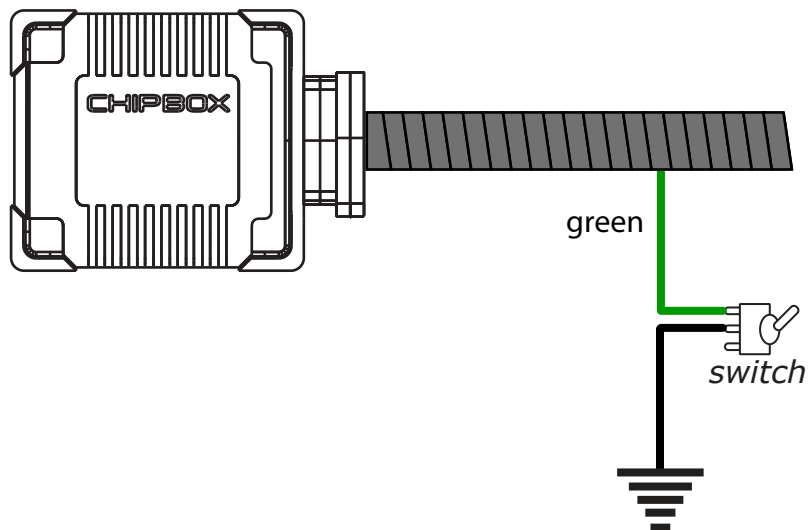
Wiring:

Connect "black" wire to chassis (ground)
Connect "green" wire, (not necessary) if you want to be able to activate/deactivate the CHIPBOX.

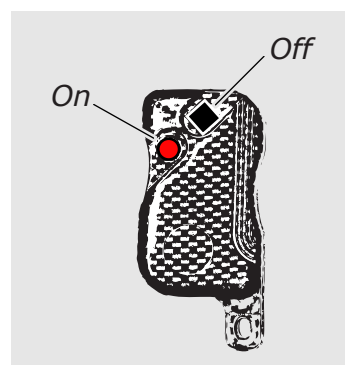
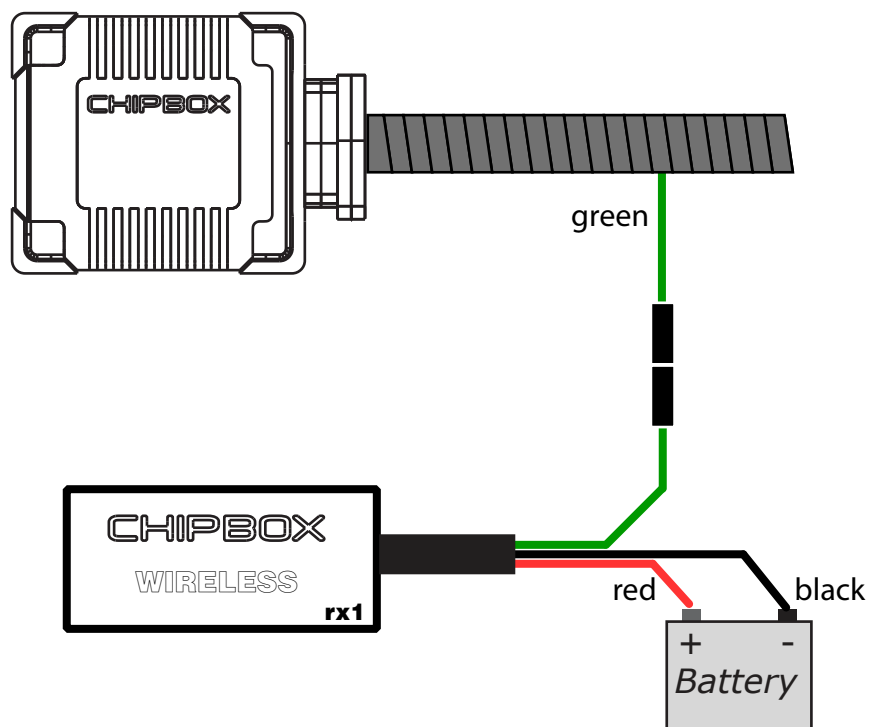
LED functionality:

Locate the LEDs by removing the CHIPBOX cover plate (remove 4 x screws)
"Red" led " ON" indicates that power is going to the CHIPBOX
"Green" led "ON" indicates that the engine is "idling"
"Green" led "OFF" indicates the CHIPBOX unit has been switched "OFF", (by "green" wires been grounded)

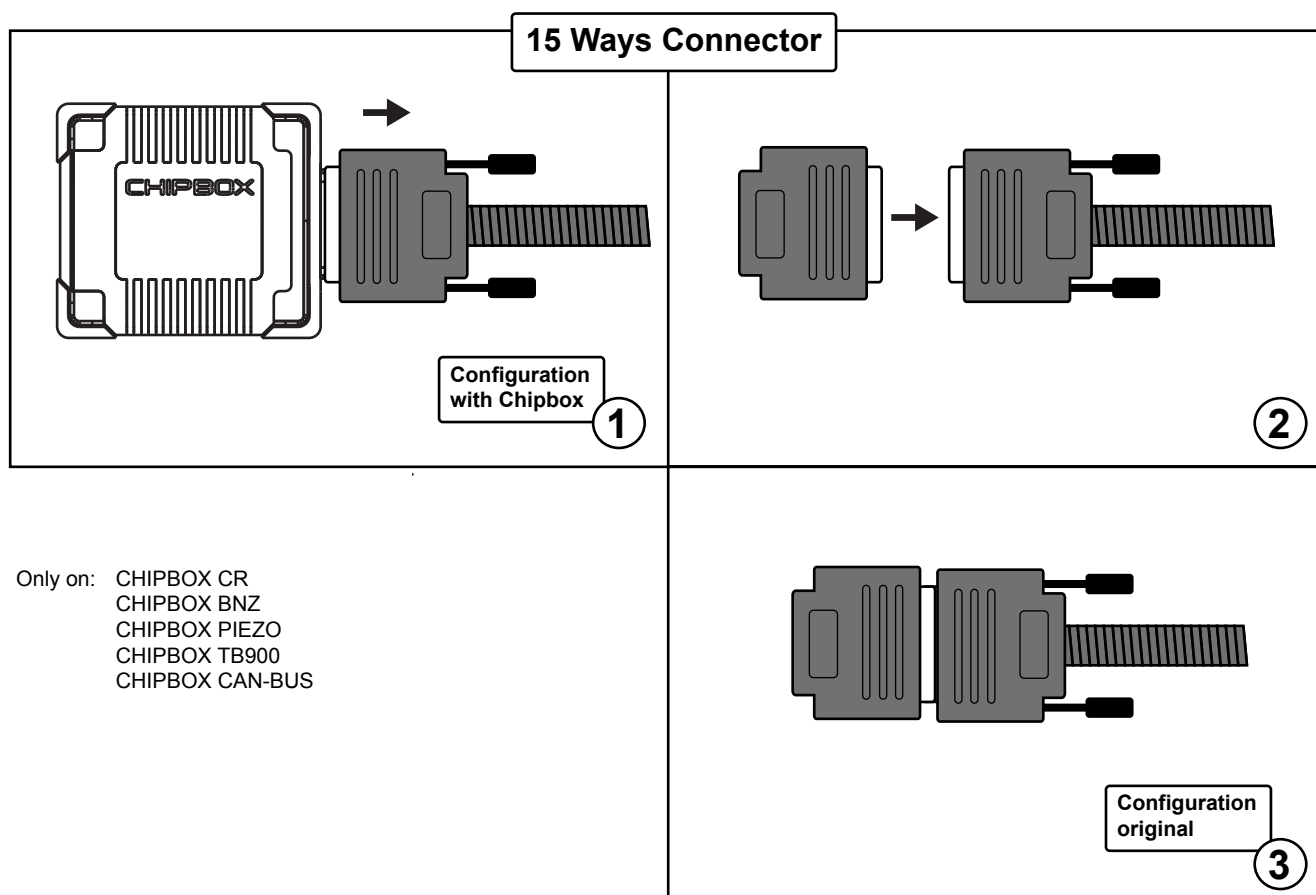
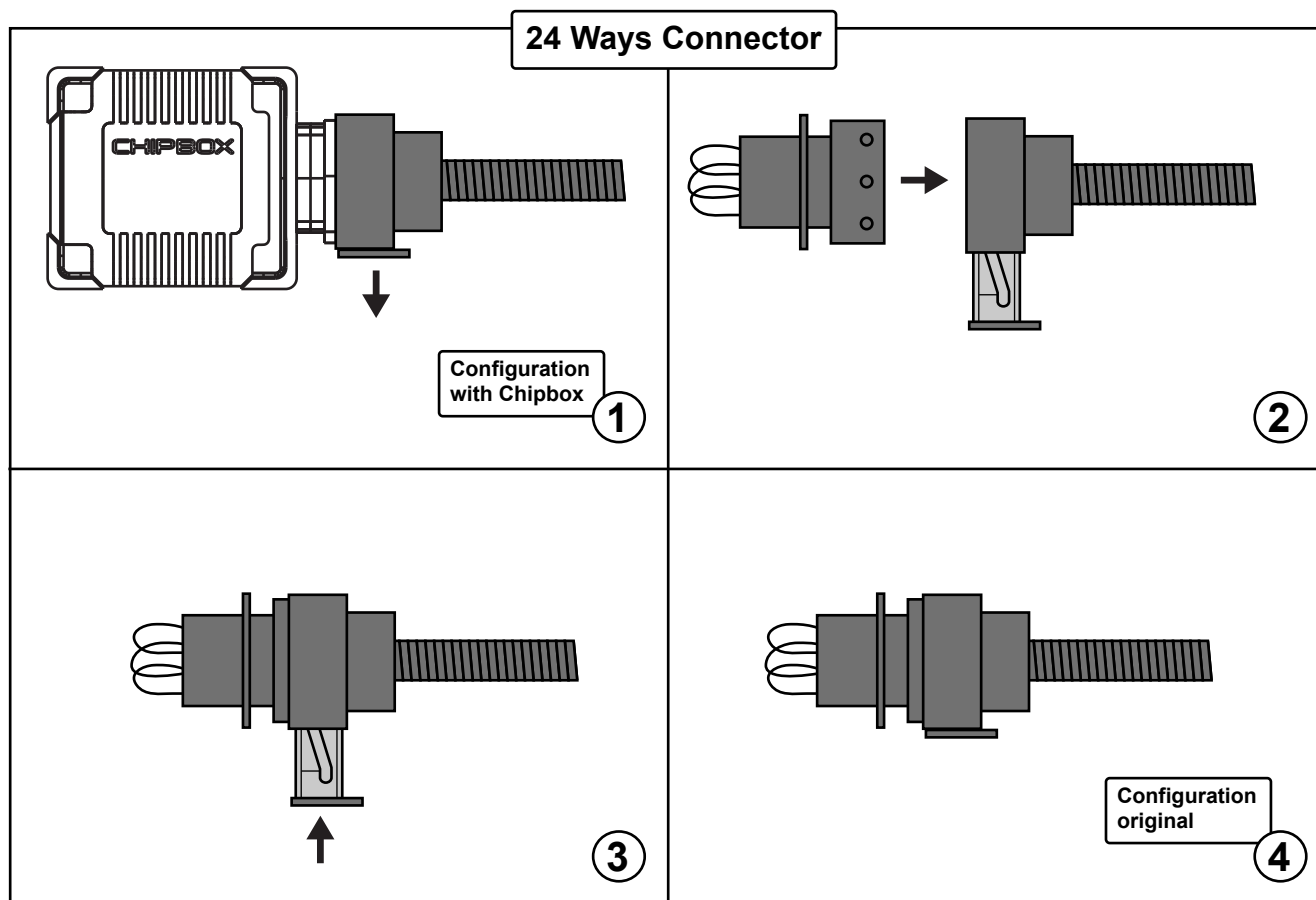
Switch



Wireless (OPTIONAL)



Return to Original



Only on: CHIPBOX CR
CHIPBOX BNZ
CHIPBOX PIEZO
CHIPBOX TB900
CHIPBOX CAN-BUS